

Printed copies are for reference only.

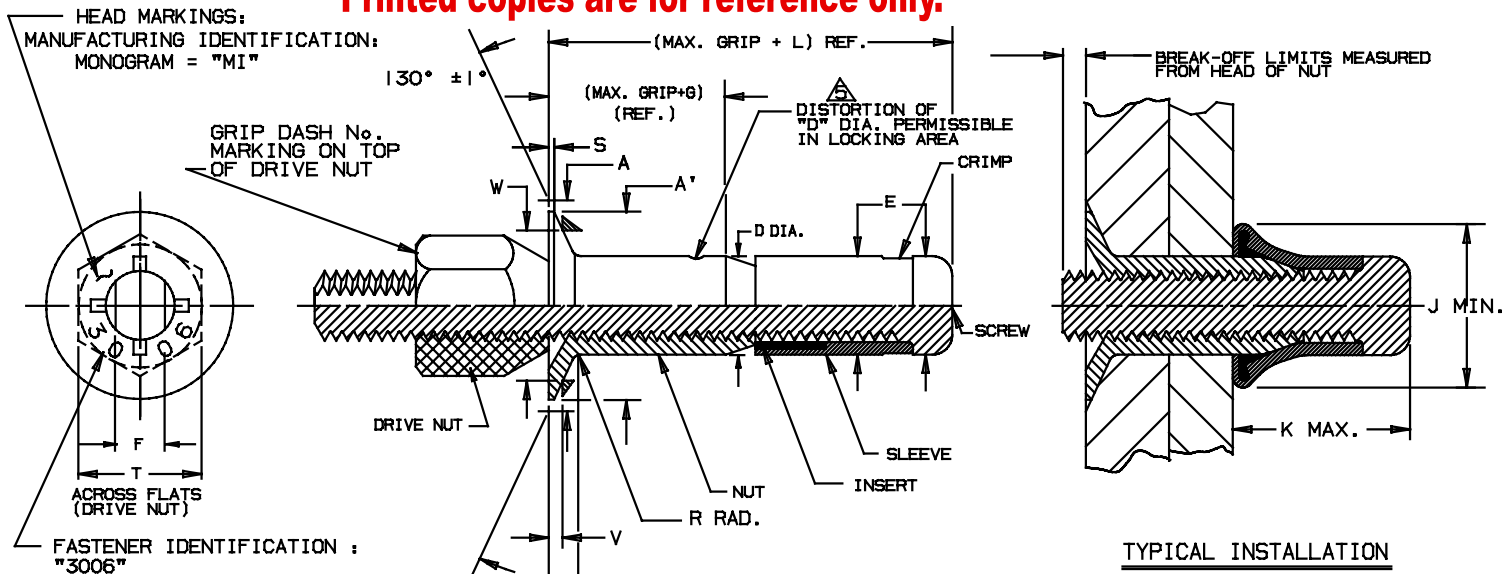


TABLE I

PART NUMBER	A DIA. REF.		A' DIA. MIN.		D DIA.		E DIA. MAX.		F WRENCH FLATS		G REF.		H REF.		L REF.		R RAD. MAX.		S MAX.		T ACROSS HEX. REF.	
	INCH	mm	INCH	mm	INCH	mm	INCH	mm	INCH	mm	INCH	mm	INCH	mm	INCH	mm	INCH	mm	INCH	mm	INCH	mm
MBF3006-5-()	.332 .325	8.43 8.25	.296	7.52	.1645 .1625	4.178 4.128	.1640	4.166	.085 .080	2.16 2.03	.058	1.47	.039	0.99	.625	15.875	.030	0.76	.009	0.229	.375	9.52
MBF3006-6-()	.385 .378	9.78 9.60	.342	8.69	.1985 .1965	5.042 4.991	.1985	5.042	.113 .108	2.87 2.74	.058	1.47	.043	1.09	.675	17.145	.030	0.76	.011	0.279	.375	9.52
MBF3006-7-()	.416 .409	10.57 10.39	.373	9.47	.2275 .2255	5.778 5.728	.2275	5.778	.121 .116	3.07 2.95	.058	1.47	.043	1.09	.862	21.894	.030	0.76	.011	0.279	.375	9.52
MBF3006-8-()	.507 .499	12.88 12.67	.463	11.76	.2595 .2575	6.591 6.541	.2595	6.591	.135 .130	3.43 3.30	.058	1.47	.057	1.45	.900	22.860	.030	0.76	.011	0.279	.375	9.52
MBF3006-9-()	.539 .530	13.66 13.46	.494	12.55	.2895 .2875	7.353 7.303	.2895	7.353	.152 .147	3.86 3.73	.068	1.73	.057	1.45	.930	23.622	.030	0.76	.011	0.279	.500	12.70
MBF3006-10-()	.635 .626	16.13 15.90	.577	14.66	.3115 .3095	7.912 7.861	.3110	7.899	.152 .147	3.86 3.73	.073	1.85	.075	1.90	.912	23.164	.040	1.02	.014	0.356	.500	12.70
MBF3006-11-()	.666 .657	16.92 16.69	.608	15.44	.3435 .3415	8.725 8.674	.3433	8.720	.185 .180	4.70 4.57	.078	1.98	.074	1.88	1.000	25.400	.040	1.02	.015	0.381	.500	12.70
MBF3006-12-()	.762 .752	19.35 19.10	.696	17.68	.3745 .3725	9.512 9.462	.3740	9.500	.185 .180	4.70 4.57	.083	2.11	.089	2.26	1.100	27.940	.040	1.02	.016	0.406	.500	12.70

TABLE I (CONT)

PART NUMBER	MINIMUM AVAILABLE GRIP DASH NO.	INSTALLED DIMENSIONS						MECHANICAL PROPERTIES											
		RECOMMENDED HOLE SIZE		J DIA. MIN.		K MAX.		BREAK-OFF LIMITS		TENSILE STRUCTURAL FAILURE (MIN.)		DOUBLE SHEAR MIN.		LOCKING TORQUE MIN.		V GAGE PROT.		W GAGE DIA.	
		INCH	mm	INCH	mm	INCH	mm	INCH	mm	LBS.	N	LBS.	N	IN-LBS	Nm	INCH	mm	INCH	mm
MBF3006-5-()	-100	.188 .165	4.27 4.19	.250	6.35	.370	9.40	+.103 -0.000	+2.62 -0.00	900	4000	3150	14010	1.0	0.113	.0115 .0095	0.292 0.241	.2832 .2830	7.193 7.188
MBF3006-6-()	-150	.202 .199	5.13 5.05	.300	7.62	.420	10.67			1400	6230	4600	20460	1.5	0.170	.0140 .0114	0.356 0.289	.3272 .3270	8.311 8.306
MBF3006-7-()	-150	.231 .228	5.88 5.79	.350	8.89	.490	12.45			1600	7120	6050	26910	2.0	0.226	.0202 .0176	0.513 0.447	.3315 .3313	8.420 8.415
MBF3006-8-()	-150	.263 .260	6.68 6.60	.400	10.16	.510	12.95			2100	9340	7900	35140	2.5	0.282	.0180 .0151	0.457 0.384	.4320 .4318	10.973 10.968
MBF3006-9-()	-150	.293 .290	7.44 7.37	.450	11.43	.535	13.59			2600	11565	9800	43590	3.0	0.339	.0247 .0224	0.627 0.569	.4320 .4318	10.973 10.968
MBF3006-10-()	-200	.315 .312	8.00 7.92	.475	12.06	.540	13.72			3600	16010	11350	50480	3.5	0.400	.0227 .0201	0.577 0.511	.5389 .5385	13.688 13.678
MBF3006-11-()	-200	.347 .344	8.91 8.74	.525	13.33	.670	17.02			4400	19570	13850	61600	4.0	0.452	.0302 .0276	0.767 0.701	.5389 .5385	13.688 13.678
MBF3006-12-()	-250	.378 .375	9.60 9.52	.575	14.60	.675	17.15			5000	22240	16450	73170	4.0	0.452	.0255 .0228	0.648 0.579	.6532 .6528	16.591 16.581

U.S. PATENT NO. 4747202, 4772167 AND 4967463
 EUROPEAN PATENT NO. 0152531 & 0244783

MONOGRAM
 CODE IDENT. NO.
 98524

APPROVED DATE
 ECN #4734
 12-11-86

REV. LETTER & DATE
 ECN # 1167
 "Y" 11-14-01

NOTICE: THIS DRAWING IS PART OF THE PROPRIETARY ARTICLE HEREIN DISCLOSED. OWNED BY MONOGRAM AEROSPACE FASTENERS, ANY PARTY BY ACCEPTING THIS DOCUMENT ASSUMES CUSTODY THEREOF AND AGREES: A. THE INFORMATION SET FORTH HEREIN IS GIVEN IN CONFIDENCE AND THIS DOCUMENT WILL NOT BE COPIED OR REPRODUCED IN WHOLE OR IN PART, NOR ITS CONTENTS REVEALED IN ANY MANNER TO ANY PERSON EXCEPT TO MEET THE PURPOSE FOR WHICH IT WAS DELIVERED. B. WITHOUT THE WRITTEN CONSENT OF MONOGRAM AEROSPACE FASTENERS, THIS DOCUMENT AND THE INFORMATION CONTAINED HEREIN UNDER NO CIRCUMSTANCES WILL BE USED IN THE MANUFACTURE OR REPRODUCTION OF THE ARTICLE DISCLOSED, AND DELIVERY OF THIS DOCUMENT SHALL NOT CONSTITUTE ANY RIGHT OR LICENSE TO DO SO.

TITLE
 BLIND FASTENER 130° FLUSH HEAD
 FOR ADVANCED COMPOSITE MATERIAL
 TITANIUM

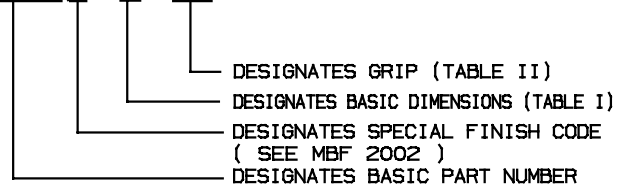
STANDARD
 MBF 3006
 SHEET 1 OF 2

PROCUREMENT SPECIFICATION: MBF 2008.
 INSTALLATION & INSPECTION SPECIFICATION : MBF 2009.
 SPECIAL LUBRICANT & FINISH CODES : MBF 2002.
 MATERIAL AND HEAT TREAT: NUT: 6AL-4V TITANIUM PER MIL-T-9047,
 STA OR AMS 4928 OR AMS 4967
 HEAT TREATED PER MIL-H-81200 TO
 95 KSI SHEAR STRENGTH MINIMUM,
 MAXIMUM HYDROGEN 125 PPM.
 SCREW: A-286 PER AMS 5731, AMS 5732 OR
 AMS 5737 HEAT TREATED TO 175 KSI
 TENSILE MINIMUM.
 SLEEVE: 304 STAINLESS STEEL PER AMS 5639
 FULLY ANNEALED.
 INSERT: ACETAL PER ASTM D4181.
 DRIVE NUT: MILD STEEL.
 FINISH: (-) NUT: KAL-GARD ANN-RO #1012 CONVERSION COATING,
 or PHOSPHATE FLOURIDE PER MONOGRAM
 SPECIFICATION PS 741, MAY BE USED AT
 MANUFACTURER'S OPTION.
 SLEEVE & SCREW: PASSIVATE PER QQ-P-35, KAL GARD ANN-RO
 #1013 CONVERSION COATING OPTIONAL.
 INSERT: NONE.
 DRIVE NUT: COLOR BROWN.
 LUBRICANT: DRY FILM LUBE PER THE CHEMICAL REQUIREMENTS OF MIL-L-46010 TYPE I
 OR EVERLUBE #812 PER MIL-L-81329, PARAFFIN WAX, AND/OR CETYL
 ALCOHOL PER MIL-L-87132 USED AS REQUIRED FOR PERFORMANCE.
 GENERAL NOTES: 1.) EXAMPLE OF PART NUMBER:

TABLE II

2ND DASH NO. (GRIP)	GRIP RANGE			
	MIN. GRIP		MAX. GRIP	
	INCH	mm	INCH	mm
100	.050	1,27	.100	2,54
150	.100	2,54	.150	3,81
200	.150	3,81	.200	5,08
250	.200	5,08	.250	6,35
300	.250	6,35	.300	7,62
350	.300	7,62	.350	8,89
400	.350	8,89	.400	10,16
450	.400	10,16	.450	11,43
500	.450	11,43	.500	12,70
550	.500	12,70	.550	13,97
600	.550	13,97	.600	15,24
650	.600	15,24	.650	16,51
700	.650	16,51	.700	17,78
750	.700	17,78	.750	19,05
800	.750	19,05	.800	20,32
850	.800	20,32	.850	21,59
900	.850	21,59	.900	22,86
950	.900	22,86	.950	24,13
1000	.950	24,13	1,000	25,40
1050	1,000	25,40	1,050	26,67
1100	1,050	26,67	1,100	27,94
1150	1,100	27,94	1,150	29,21
1200	1,150	29,21	1,200	30,48
1250	1,200	30,48	1,250	31,75
1300	1,250	31,75	1,300	33,02

MBF 3006 () - 6 - 200



- 2.) LOCKING FEATURE CONSISTS OF THREE (3) INDENTATIONS LOCATED 120° APART ON THE PERIPHERY OF THE NUT COMPONENT AND APPROXIMATELY .040 ABOVE THE INTERSECTION OF THE NUT NOSE ANGLE AND O.D.
 - 3.) SEE MBF 2009 FOR INSTALLATION AND REMOVAL INFORMATION.
 - 4.) THESE PARTS ARE SIMILAR TO MBF 2113 EXCEPT AS FOLLOWS :
 - A.) IMPROVED OUT-OF-GRIP FLAGGING CAPABILITY (SCREW B/O).
 - B.) INCREASED BLIND SIDE PROTRUSION BEFORE AND AFTER UPSET.
 - C.) INCREASED INSTALLED WEIGHT.
5. DISTORTION SHALL NOT PREVENT INSERTION OF THE FASTENER INTO A RING GAUGE OF LENGTH EQUAL TO ONE DIAMETER AND DIAMETER EQUAL TO MINIMUM RECOMMENDED HOLE SIZE. FORCE FOR INSERTION SHALL NOT EXCEED 5.0 POUNDS.

U.S. PATENT NO. 4747202, 4772167 AND 4967463
 EUROPEAN PATENT NO. 0152531 & 0244783

MONOGRAM

CODE IDENT. NO.
 98524

APPROVED DATE ECN #4734 12-11-86	NOTICE: THIS DRAWING IS PART OF THE PROPRIETARY ARTICLE HEREIN DISCLOSED. OWNED BY MONOGRAM AEROSPACE FASTENERS, ANY PARTY BY ACCEPTING THIS DOCUMENT ASSUMES CUSTODY THEREOF AND AGREES: A. THE INFORMATION SET FORTH HEREIN IS GIVEN IN CONFIDENCE AND THIS DOCUMENT WILL NOT BE COPIED OR REPRODUCED IN WHOLE OR IN PART, NOR ITS CONTENTS REVEALED IN ANY MANNER TO ANY PERSON EXCEPT TO MEET THE PURPOSE FOR WHICH IT WAS DELIVERED. B. WITHOUT THE WRITTEN CONSENT OF MONOGRAM AEROSPACE FASTENERS, THIS DOCUMENT AND THE INFORMATION CONTAINED HEREIN UNDER NO CIRCUMSTANCES WILL BE USED IN THE MANUFACTURE OR REPRODUCTION OF THE ARTICLE DISCLOSED, AND DELIVERY OF THIS DOCUMENT SHALL NOT CONSTITUTE ANY RIGHT OR LICENSE TO DO SO.	TITLE BLIND FASTENER 130° FLUSH HEAD FOR ADVANCED COMPOSITE MATERIAL TITANIUM	STANDARD MBF 3006 SHEET 2 OF 2
REV. LETTER & DATE ECN # 1167 "Y" 11-14-01			