

MONOGRAM AEROSPACE FASTENERS

**Printed copies are
for reference only.**

3423 SOUTH GARFIELD AVENUE
LOS ANGELES, CALIFORNIA 90040

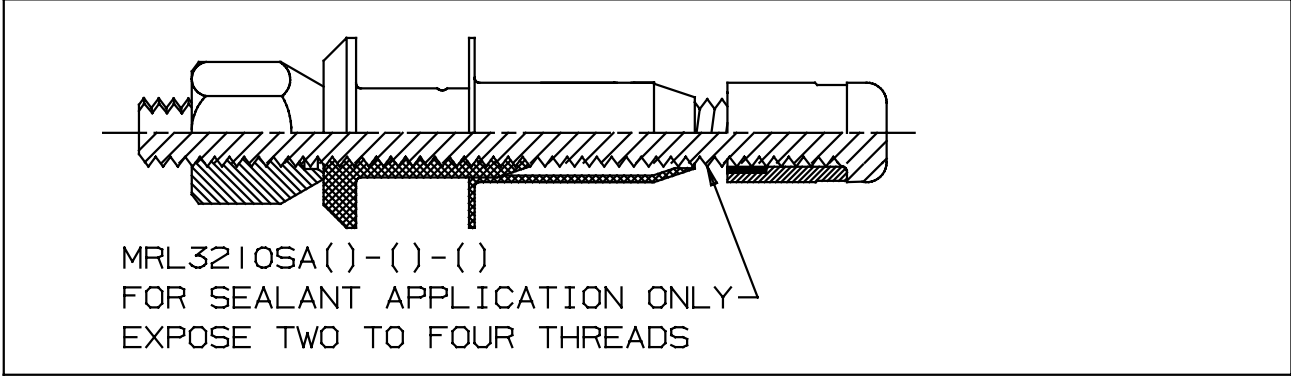
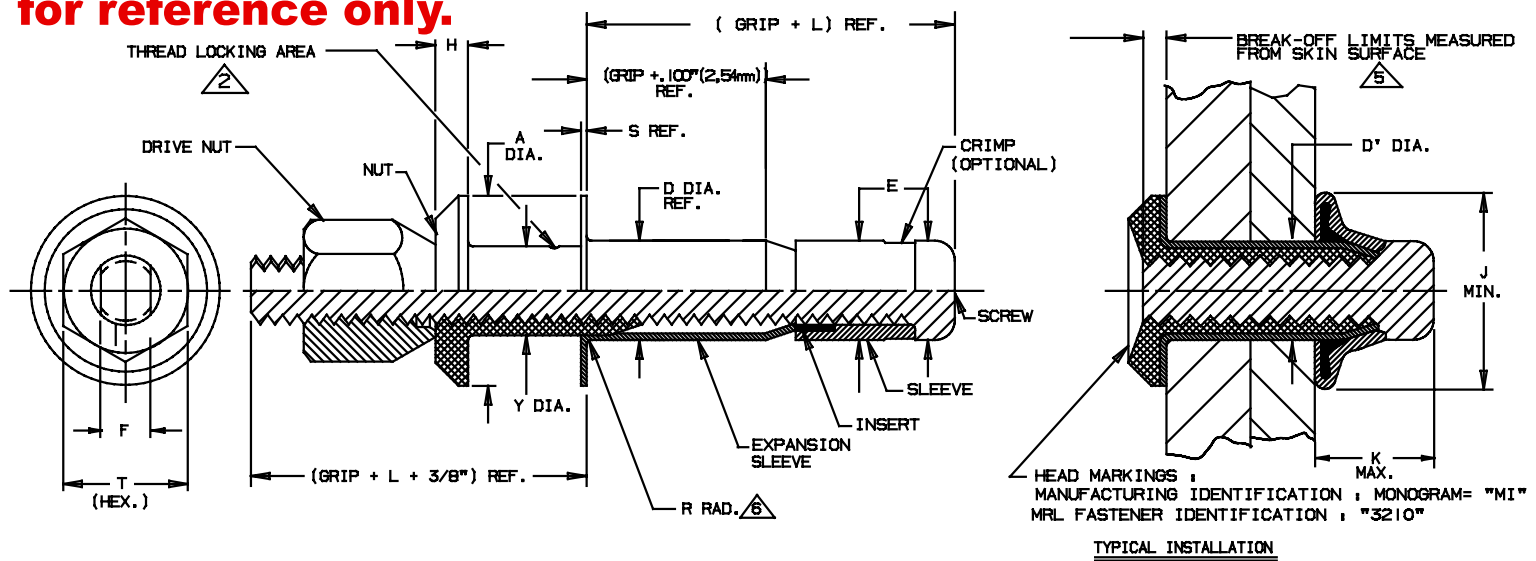


TABLE I

PART NUMBER	A DIA. REF.		D DIA. REF.		E DIA. MAX.		F WRENCH FLATS		H		L		R RAD. REF.		S REF.		T ACROSS HEX. REF.		Z Y DIA.	
	INCH	mm	INCH	mm	INCH	mm	INCH	mm	INCH	mm	INCH	mm	INCH	mm	INCH	mm	INCH	mm	INCH	mm
MRL 3210-6-()	.406	10,31	.197	5,00	.1985	5,04	.113 .108	2,87 2,74	.070 .063	1,78 1,60	.770	19,56	.040	1,02	.011	0,279	.375	9,52	.186 .181	4,72 4,60
MRL 3210-7-()	.406	10,31	.226	5,74	.2275	5,78	.121 .116	3,07 2,95	.070 .063	1,78 1,60	.770	19,56	.040	1,02	.011	0,279	.375	9,52	.215 .210	5,46 5,33
MRL 3210-8-()	.531	13,49	.258	6,55	.2595	6,59	.135 .130	3,43 3,30	.085 .078	2,16 1,98	.770	19,56	.045	1,14	.014	0,356	.375	9,52	.241 .236	6,12 5,99
MRL 3210-9-()	.531	13,49	.288	7,32	.2895	7,35	.152 .147	3,86 3,73	.085 .078	2,16 1,98	.870	22,10	.045	1,14	.014	0,356	.500	12,70	.271 .266	6,88 6,76
MRL 3210-10-()	.625	15,86	.310	7,87	.3110	7,90	.152 .147	3,86 3,73	.105 .098	2,67 2,49	.870	22,10	.050	1,27	.017	0,432	.500	12,70	.287 .282	7,29 7,16
MRL 3210-11-()	.625	15,86	.342	8,69	.3433	8,72	.185 .180	4,70 4,57	.105 .098	2,67 2,49	.870	22,10	.050	1,27	.017	0,432	.500	12,70	.319 .314	8,10 7,98
MRL 3210-12-()	.750	19,05	.373	9,47	.3740	9,50	.185 .180	4,70 4,57	.125 .118	3,17 3,00	1.000	25,40	.050	1,27	.017	0,432	.500	12,70	.350 .345	8,89 8,76
MRL 3210-14-()	.750	19,05	.436	11,07	.437	11,10	.220 .215	5,59 5,46	.125 .118	3,17 3,00	1.000	25,4	.050	1,27	.017	0,432	.500	12,70	.414 .409	10,51 10,39

MONOGRAM
CODE IDENT. NO.
98524

U.S. PATENT NO. 4457652 AND 4747202 OTHER PATENTS PENDING

APPROVED DATE
ECN #5891 5-1-89

REV. LETTER AND DATE
A J ECN #3732 04-13-06

NOTICE: THIS DRAWING IS PART OF THE PROPRIETARY ARTICLE HEREIN DISCLOSED, OWNED BY MONOGRAM AEROSPACE FASTENERS. ANY PARTY BY ACCEPTING THIS DOCUMENT ASSUMES CUSTODY THEREOF AND AGREES, A. THE INFORMATION SET FORTH HEREIN IS GIVEN IN CONFIDENCE AND THIS DOCUMENT WILL NOT BE COPIED OR REPRODUCED IN WHOLE OR IN PART, NOR ITS CONTENTS REVEALED IN ANY MANNER TO ANY PERSON EXCEPT TO MEET THE PURPOSE FOR WHICH IT WAS DELIVERED. B. WITHOUT THE WRITTEN CONSENT OF MONOGRAM AEROSPACE FASTENERS, THIS DOCUMENT AND THE INFORMATION CONTAINED HEREIN UNDER NO CIRCUMSTANCES WILL BE USED IN THE MANUFACTURE OR REPRODUCTION OF THE ARTICLE DISCLOSED, AND DELIVERY OF THIS DOCUMENT SHALL NOT CONSTITUTE ANY RIGHT OR LICENSE TO DO SO.

TITLE
RADIAL-LOK™ FASTENER, BLIND
LOW PROFILE PROTRUDING HEAD
TITANIUM

STANDARD
MRL 3210
SHEET 1 OF 2

MONOGRAM AEROSPACE FASTENERS

3423 SOUTH GARFIELD AVENUE
LOS ANGELES , CALIFORNIA 90040

INSTALLATION SPECIFICATION: MRL 1003

PROCUREMENT SPECIFICATION: MRL 1000

TABLE I (CONT)

PART NUMBER	AVAILABLE GRIP DASH NO.		INSTALLED DIMENSIONS								MECHANICAL PROPERTIES								
			RECOMMENDED HOLE SIZE		D' DIA.		J DIA. MIN.		K MAX.		BREAK-OFF LIMITS		TENSILE STRUCTURAL FAILURE(MIN)		DOUBLE SHEAR MIN.		LOCKING TORQUE MIN.		
	MIN.	MAX.	INCH	mm	INCH	mm	INCH	mm	INCH	mm	INCH	mm	LBS.	N	LBS.	N	IN-LBS	Nm	
MRL3210-6-()	-	600	.202	5,13	.205	5,207	.290	7,37	.500	12,700	+.275	+6,98	1600	7120	4800	21350	1.5	0,170	
MRL3210-7-()			.199	5,05	.203	5,156	.330	8,38	.500	12,700	+.275	+6,98	1700	7560	6000	26700	2.0	0,226	
MRL3210-8-()	-100	-1000	.263	6,68	.266	6,756	.390	9,91	.500	12,700	+.295	+7,49	2300	10230	8000	35600	2.5	0,282	
MRL3210-9-()			.260	6,60	.264	6,706	.430	10,92	.500	12,700	+.095	+2,41	2400	10675	10000	44480	3.0	0,339	
MRL3210-10-()			.293	7,44	.296	7,518	.460	11,68	.550	13,970	+.295	+7,49	3600	16010	12000	53400	3.5	0,400	
MRL3210-11-()			.290	7,37	.294	7,468	.490	12,45	.625	15,875	+.315	+8,00	3700	16460	14000	62300	4.0	0,452	
MRL3210-12-()			.312	7,92	.316	8,026	.375	9,52	.625	15,875	+.115	+2,92	5000	22240	17000	75600	4.0	0,452	
MRL3210-13-()			.347	8,81	.350	8,890	.441	11,20	.660	16,76	+.335	+8,51	8000	35600	23000	102300	4.0	0,452	
MRL3210-14-()			.344	8,74	.348	8,839	.438	11,12	.675	17,145	+.135	+3,43							
					.378	9,60	.381	9,677											

MATERIAL AND HEAT TREAT:

NUT: 6Al-4V TITANIUM PER MIL-T-9047 STA OR AMS4928 OR AMS4967 HEAT TREATED PER MIL-H-81200 TO 95 KSI SHEAR STRENGTH MINIMUM. MAXIMUM HYDROGEN CONTENT 125 PPM.

SCREW: INCONEL 718 PER AMS5662. HEAT TREATED TO 125 KSI FSU.

SLEEVE: 304 STAINLESS STEEL PER AMS 5639 , FULLY ANNEALED.

EXPANSION SLEEVE: A-286 PER AMS 5731, AMS 5732, AMS 5737 OR AMS 5525 HEAT TREATED AS REQUIRED FOR PERFORMANCE.

INSERT: ACETAL PER ASTM D4181.

DRIVE NUT: MILD STEEL.

FINISH: NUT: NONE

SLEEVE, SCREW & EXPANSION SLEEVE: PASSIVATE PER QQ-P-35, KAL-GARD ANN-RO #1013 CONVERSION COATING OPTIONAL.

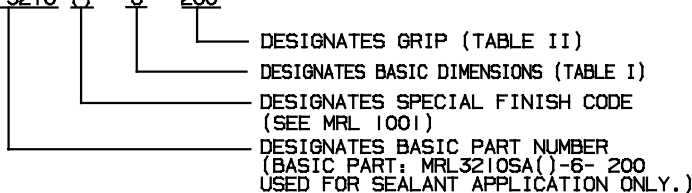
INSERT: NONE

DRIVE NUT: COLOR GRAY.

LUBRICANT: DRY FILM LUBE PER THE CHEMICAL REQUIREMENTS OF MIL-L-46010 TYPE I. PARAFIN WAX OR CETYL ALCOHOL USED AS REQUIRED FOR PERFORMANCE.

GENERAL NOTES: 1.) EXAMPLE OF PART NUMBER:

MRL 3210 () - 6 - 200



2. LOCKING FEATURE CONSISTS OF THREE (3) INDENTATIONS LOCATED 120° APART ON THE PERIPHERY OF THE NUT COMPONENT. DISTORTION OF SHANK DIA. PERMISSIBLE IN LOCKING AREA OUT- OF- ROUNDNESS SHALL NOT EXCEED .002" OVER "Y" MAX. DIA.

3.) SEE MRL 1003 FOR INSTALLATION AND REMOVAL INFORMATION.

4. GRIP LENGTH NOT LISTED ARE AVAILABLE UPON REQUEST. FOR EXAMPLE: GRIP -350 SHALL HAVE GRIP RANGE: .275"(9,52) MIN. TO .375"(9,52) MAX. AND GRIP -450 SHALL HAVE GRIP RANGE: .375"(9,52) MIN. TO .475"(12,06) MAX.

5. IT IS RECOMMENDED THAT WHEN INSTALLING RADIAL-LOKS IN HIGHLY STRESSED THIN STRUCTURE, THE USE OF MRLW SERIES WASHERS BE INCORPORATED TO ELIMINATE COUNTER-SINKING AND TO CLEAR THE UNDER HEAD RADIUS.. MRLW WASHERS MAY ALSO BE USED TO ACCOMODATE OUT THE GRIP CONDITIONS.

6. INSTALLATION HOLE SHALL BE CHAMFERED AT (R + .010") MIN. X 45°.

7. EXPANSION SLEEVE DIMENSIONS ARE FOR ENGINEERING REFERENCE ONLY.

U.S. PATENT NO. 4457652 AND 4747202 OTHER PATENTS PENDING

2ND DASH NO. (GRIP)	GRIP RANGE			
	MIN. GRIP		MAX. GRIP	
	INCH	mm	INCH	mm
-100	.050	1,27	.125	3,17
-150	.075	1,90	.175	4,45
-200	.125	3,17	.225	5,71
-250	.175	4,45	.275	6,98
-300	.225	5,71	.325	8,25
-350	.275	6,98	.375	9,52
-400	.325	8,25	.425	10,80
-450	.375	9,52	.475	12,07
-500	.425	10,80	.525	13,33
-550	.475	12,07	.575	14,60
-600	.525	13,33	.625	15,88
-650	.575	14,60	.675	17,15
-700	.625	15,88	.725	18,41
-750	.675	17,15	.775	19,68
-800	.725	18,41	.825	21,00
-850	.775	19,68	.875	22,23
-900	.825	21,00	.925	23,50
-950	.875	22,23	.975	24,76
-1000	.925	23,50	1.025	26,03
-1050	.975	24,76	1.075	27,31
-1100	1.025	26,03	1.125	28,58
-1150	1.075	27,31	1.175	29,85
-1200	1.125	28,58	1.225	31,12
-1250	1.175	29,85	1.275	32,39
-1300	1.225	31,12	1.325	33,66

MONOGRAM
CODE IDENT. NO.
98524

APPROVED DATE
ECN #5891 5-1-89

REV. LETTER AND DATE
(A) ECN #3732 04-13-06

NOTICE: THIS DRAWING IS PART OF THE PROPRIETARY ARTICLE HEREIN DISCLOSED, OWNED BY MONOGRAM AEROSPACE FASTENERS. ANY PARTY BY ACCEPTING THIS DOCUMENT ASSUMES CUSTODY THEREOF AND AGREES, A. THE INFORMATION SET FORTH HEREIN IS GIVEN IN CONFIDENCE AND THIS DOCUMENT WILL NOT BE COPIED OR REPRODUCED IN WHOLE OR IN PART, NOR ITS CONTENTS REVEALED IN ANY MANNER TO ANY PERSON EXCEPT TO MEET THE PURPOSE FOR WHICH IT WAS DELIVERED. B. WITHOUT THE WRITTEN CONSENT OF MONOGRAM AEROSPACE FASTENERS, THIS DOCUMENT AND THE INFORMATION CONTAINED HEREIN UNDER NO CIRCUMSTANCES WILL BE USED IN THE MANUFACTURE OR REPRODUCTION OF THE ARTICLE DISCLOSED, AND DELIVERY OF THIS DOCUMENT SHALL NOT CONSTITUTE ANY RIGHT OR LICENSE TO DO SO.

TITLE
RADIAL-LOK™ FASTENER, BLIND
LOW PROFILE PROTRUDING HEAD
TITANIUM

STANDARD

MRL 3210

SHEET 2 OF 2