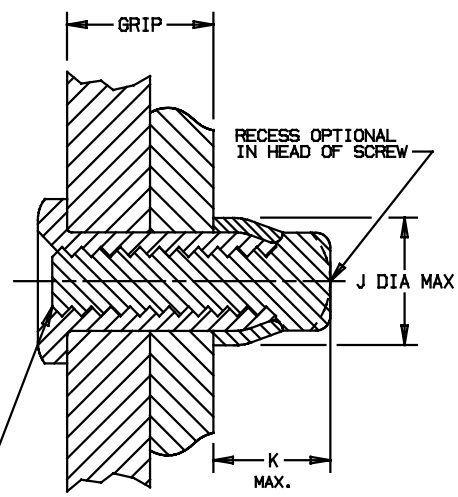
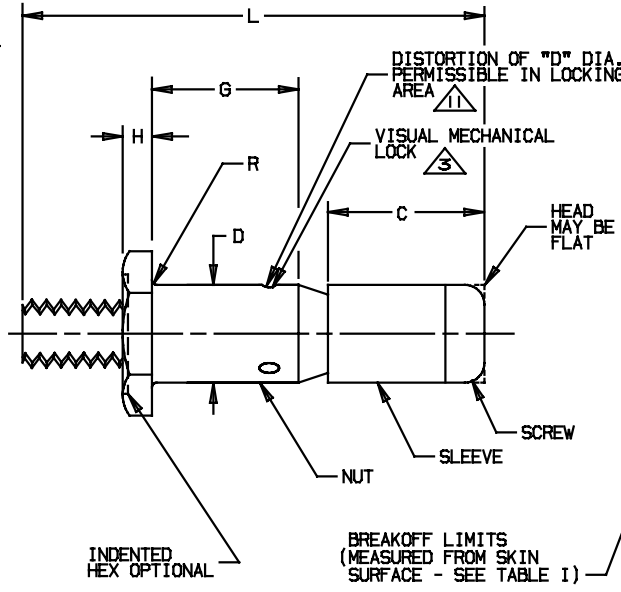
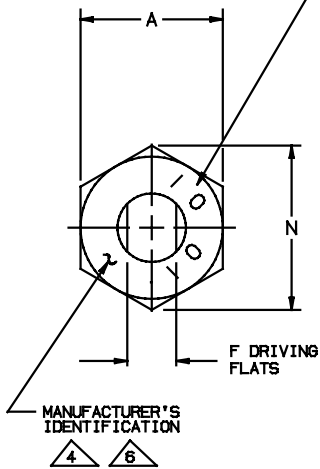


FASTENER IDENTIFICATION
MARK "1001"
(ARRANGEMENT OPTIONAL)



Printed copies are for reference only.

TABLE I

TYPICAL INSTALLATION

PART NUMBER	NOM. DIA.	A	C MAX.	D DIA.	F DRIVING FLATS	H MAX.	J DIA. MAX.	K MAX.	N MIN.	R RAD.	HOLE SIZE	BREAK-OFF LIMITS	PREVAILING TORQUE IN. LBS. MIN.	DOUBLE SHEAR STRENGTH LBS. MIN.	TENSILE STRENGTH LBS. MIN.
PLT1001-5-(*)	.1635	.250 .244	.268	.1645 .1625	.086 .081	.096	.244	.246	.272	.020 .010	.168 .165	+0.088 +0.000	1.0	3760	970
PLT1001-6-(*)	.1980	.312 .305	.303	.1990 .1970	.104 .099	.113	.300	.291	.340	.025 .015	.202 .199	+0.098 +0.010	1.5	5240	1400
PLT1001-8-(*)	.2590	.375 .367	.354	.2600 .2580	.135 .130	.135	.384	.325	.409	.025 .015	.263 .260	+1.135 +0.047	2.5	9300	2100
PLT1001-10-(*)	.3105	.437 .429	.423	.3115 .3095	.152 .147	.160	.427	.390	.479	.030 .015	.315 .312	+1.146 +0.043	3.5	14600	3600
PLT1001-12-(*)	.3735	.500 .491	.510	.3745 .3725	.185 .180	.190	.516	.470	.548	.030 .015	.378 .375	+1.152 +0.049	4.0	21000	5650

(*) SEE TABLE II FOR SECOND DASH NUMBER AND APPROVED CALLOUT.

TABLE II

SECOND DASH NUMBER	G GRIP	GRIP RANGE		L REF.					SECOND DASH NUMBER	G GRIP	GRIP RANGE		L REF.				
		MIN.	MAX.	PLT 1001							MIN.	MAX.	PLT 1001				
				-5-(*)	-6-(*)	-8-(*)	-10-(*)	-12-(*)					-5-(*)	-6-(*)	-8-(*)	-10-(*)	-12-(*)
-1	.093	.031	.093	.733	.874	-	-	-	-17	1.094	1.032	1.094	1.874	1.944	2.096	2.179	
-2	.156	.094	.156	.795	.936	1.006	1.158	-	-18	1.156	1.095	1.156	1.936	2.006	2.158	2.242	
-3	.219	.157	.219	.858	.999	1.069	1.221	1.304	-19	1.219	1.157	1.219	1.999	2.069	2.221	2.304	
-4	.281	.220	.281	.920	1.061	1.131	1.283	1.367	-20	1.281	1.220	1.281	2.061	2.131	2.283	2.367	
-5	.344	.282	.344	.983	1.124	1.194	1.346	1.429	-21	1.344	1.282	1.344	2.124	2.194	2.346	2.429	
-6	.406	.345	.406	1.045	1.186	1.256	1.408	1.492	-22	1.406	1.345	1.406	2.186	2.256	2.408	2.492	
-7	.469	.407	.469	1.108	1.249	1.319	1.471	1.554	-23	1.469	1.407	1.469	2.249	2.319	2.471	2.554	
-8	.531	.470	.531	1.170	1.311	1.381	1.533	1.617	-24	1.531	1.470	1.531	2.311	2.381	2.533	2.617	
-9	.594	.532	.594	1.233	1.374	1.444	1.596	1.679	-25	1.594	1.532	1.594	2.374	2.444	2.596	2.679	
-10	.656	.595	.656	1.295	1.436	1.506	1.658	1.742	-26	1.656	1.595	1.656	2.436	2.506	2.658	2.742	
-11	.719	.657	.719	1.358	1.499	1.569	1.721	1.804	-27	1.719	1.657	1.719	2.499	2.569	2.721	2.804	
-12	.781	.720	.781	1.420	1.561	1.631	1.783	1.867	-28	1.781	1.720	1.781	2.561	2.631	2.783	2.867	
-13	.844	.782	.844	1.483	1.624	1.694	1.846	1.929	-29	1.844	1.782	1.844	2.624	2.694	2.846	2.929	
-14	.906	.845	.906	1.545	1.686	1.756	1.908	1.992	-30	1.906	1.845	1.906	2.686	2.756	2.908	2.992	
-15	.969	.907	.969	1.608	1.749	1.819	1.971	2.054	-31	1.969	1.907	1.969	2.749	2.819	2.971	3.054	
-16	1.031	.970	1.031	1.670	1.811	1.881	2.033	2.117	-32	2.031	1.970	2.031	2.811	2.881	3.033	3.117	

▲ "G" TOLERANCES: FOR -5 & -6 SIZES +.030/-0.010; FOR -8 & -10 SIZES +.040/-0.010; FOR -12 SIZE +.050/-0.010.

U.S. PATENT NO. 3643544, OTHER PATENTS PENDING.

Fairchild
CODE IDENT. NO.
92215

MONOGRAM
CODE IDENT. NO.
98524

APPROVED DATE
25 SEPTEMBER 1972
REV. LETTER AND DATE
E 04-11-94

NOTICE: THIS DRAWING IS PART OF THE PROPRIETARY ARTICLE HEREIN DISCLOSED, OWNED BY MONOGRAM AEROSPACE FASTENERS, ANY PARTY BY ACCEPTING THIS DOCUMENT ASSUMES CUSTODY THEREOF AND AGREES:
A. THE INFORMATION SET FORTH HEREIN IS GIVEN IN CONFIDENCE AND THIS DOCUMENT WILL NOT BE COPIED OR REPRODUCED IN WHOLE OR IN PART, NOR ITS CONTENTS REVEALED IN ANY MANNER TO ANY PERSON EXCEPT TO MEET THE PURPOSE FOR WHICH IT WAS DELIVERED.
B. WITHOUT THE WRITTEN CONSENT OF MONOGRAM AEROSPACE FASTENERS, THIS DOCUMENT AND THE INFORMATION CONTAINED HEREIN UNDER NO CIRCUMSTANCES WILL BE USED IN THE MANUFACTURE OR REPRODUCTION OF THE ARTICLE DISCLOSED, AND DELIVERY OF THIS DOCUMENT SHALL NOT CONSTITUTE ANY RIGHT OR LICENSE TO DO SO.

TITLE
VISU-LOK, FASTENER, BLIND
INTERNALLY THREADED, EXTERNAL SLEEVE
ALLOY STEEL
PROTRUDING HEX HEAD, SELF LOCKING
HIGH STRENGTH

STANDARD
PLT 1001
SHEET 1 OF 2



CUSTODIAN: ENGINEERING STANDARD COMMITTEE FOR BLIND BOLTS
 3423 SOUTH GARFIELD AVENUE
 LOS ANGELES, CALIFORNIA 90040



PROCUREMENT SPEC. : ESCBB-2, CLASS I EXCEPT AS SPECIFIED HEREIN.

MATERIAL : NUT & SCREW : ALLOY STEEL; 4130 PER MIL-S-6758, 4140 PER MIL-S-5626 OR 8740 PER MIL-S-6049.

SLEEVE : CORROSION RESISTANT STEEL: 303 OR 304 PER QQ-S-763, AMS 5639 OR AMS 5641.

HEAT TREAT : NUT & SCREW : HEAT TREAT PER MIL-H-6875 TO Rc 39-46, AND TO VICKERS DPH390-465.

SLEEVE : AS REQUIRED FOR PERFORMANCE.

△ FINISH : NUT & SCREW : CADMIUM PLATE PER QQ-P-416, TYPE II, CLASS 2. CADMIUM PLATE PER NAS 672 IS PERMISSIBLE PROVIDED IT IS FOLLOWED BY A DICHROMATE POST TREATMENT PER QQ-P-416.

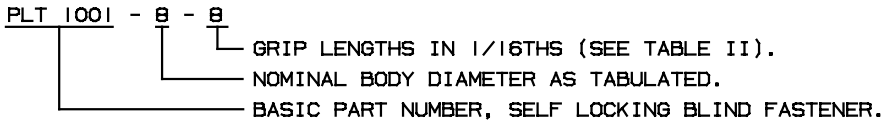
SLEEVE : PASSIVATE PER MIL-S-5002. CADMIUM PLATE PER QQ-P-416, TYPE I, CLASS 3.

△ LUBRICANT: LUBRICANTS LISTED BELOW MAY BE APPLIED TO ANY OR ALL COMPONENTS IF REQUIRED FOR FASTENER PERFORMANCE:

NUT : WWM CARBO-WAX, PARAFFIN WAX AND/OR CETYL ALCOHOL PER MIL-L-87132.

SCREW & SLEEVE : DRY FILM LUBE MoS₂, PER MIL-L-46010 OR MIL-L-81329, WWM CARBO-WAX, PARAFFIN WAX AND/OR CETYL ALCOHOL PER MIL-L-87132.

PART CODE & EXAMPLE :



- GENERAL NOTES :
- 1.) OUTSIDE DIAMETER OF HEAD OF SCREW AND OUTSIDE DIAMETER OF SLEEVE SHALL NOT BE GREATER THAN MAXIMUM "D" DIAMETER.
 - 2.) REMOVE ALL LOOSE OR HANGING BURRS.
 3. △ LOCKING FEATURE CONSISTS OF THREE (3) INDENTATIONS LOCATED 120° APART ON THE PERIPHERY OF THE NUT COMPONENT AND APPROXIMATELY .040 ABOVE THE INTERSECTION OF THE NUT NOSE ANGLE AND O.D. (MEAN GRIP OF FASTENER).
 4. △ MANUFACTURER'S IDENTIFICATION:
LETTER "N" DESIGNATES MONOGRAM/AEROSPACE FASTENERS.
LETTERS "VS" DESIGNATE VOI-SHAN.
 - 5.) HEAD MARKINGS ON NUT DEPRESSED .010 MAX.
 6. △ THE PRODUCT DESCRIBED BY THIS DRAWING IS "EQUIVALENT TO" AND "INTERCHANGEABLE WITH" THE MANUFACTURER'S PRODUCT LISTED BELOW EXCEPT FOR THE HEAD IDENTIFICATION MARKINGS AND SELF-LOCKING FEATURE.
MONOGRAM... : WP164-WP375 SERIES
VOI-SHAN... : BAAH SERIES
 7. △ STANDARD FINISHES AND LUBRICANTS ARE SHOWN ABOVE. REFER TO SPECIFICATION ESCBB-4 FOR SPECIAL FINISHES AND/OR LUBRICANTS, IF REQUIRED.
 8. △ HALF-GRIP SIZES MAY BE ORDERED BY ADDING (.5) TO THE GRIP DASH NUMBERS.
EXAMPLE: PLT 1001-6-4.5 INDICATES A NOMINAL GRIP LENGTH OF 4.5 SIXTEENTHS = .281.
THE GRIP RANGE FOR THESE HALF-GRIP SIZES WILL BE NOMINAL GRIP + .031/- .030.
THE BASIC "G" DIMENSION WILL BE NOMINAL GRIP + .031 AND THE OVERALL SCREW LENGTH "L" DIMENSION MAY VARY AT MANUFACTURER'S OPTION.
 9. △ THE PREVAILING TORQUE SHALL CONFORM TO THE VALUES AS TABULATED, WHEN TESTED IN ACCORDANCE WITH SPECIFICATION ESCBB-2. HOWEVER, PREVAILING TORQUES FOR THE PLT1001-5-1 AND PLT1001-6-1 SHALL BE RECORDED THRU A ROTATION OF ONLY 360° OF THE NUT.
 10. △ STANDARD GRIP LENGTHS ARE SHOWN IN TABLE II, SHORTER OR LONGER GRIPS THAN THOSE LISTED MAY BE AVAILABLE AS SPECIALS. ON GRIP LENGTHS SHORTER THAN THOSE LISTED, THE BREAKOFF LIMITS AND PREVAILING TORQUES SHOWN IN TABLE I DO NOT APPLY.
 11. △ DISTORTION OF "D" DIAMETER SHALL NOT PREVENT INSERTION OF THE FASTENER INTO A RING GAUGE OF LENGTH EQUAL TO ONE DIAMETER AND DIAMETER EQUAL TO MAXIMUM "D" + .001". FORCE FOR INSERTION SHALL NOT EXCEED FIVE (5) POUNDS.
 12. DIMENSIONS ARE EXCLUSIVE OF LUBRICATION.

Fairchild
 CODE IDENT. NO.
92215

MONOGRAM
 CODE IDENT. NO.
98524

U.S. PATENT NO. 3643544, OTHER PATENTS PENDING.

APPROVED DATE
 25 SEPTEMBER 1972

NOTICE: THIS DRAWING IS PART OF THE PROPRIETARY ARTICLE HEREIN DISCLOSED, OWNED BY MONOGRAM AEROSPACE FASTENERS, ANY PARTY BY ACCEPTING THIS DOCUMENT ASSUMES CUSTODY THEREOF AND AGREES:
 A. THE INFORMATION SET FORTH HEREIN IS GIVEN IN CONFIDENCE AND THIS DOCUMENT WILL NOT BE COPIED OR REPRODUCED IN WHOLE OR IN PART, NOR ITS CONTENTS REVEALED IN ANY MANNER TO ANY PERSON EXCEPT TO MEET THE PURPOSE FOR WHICH IT WAS DELIVERED.
 B. WITHOUT THE WRITTEN CONSENT OF MONOGRAM AEROSPACE FASTENERS, THIS DOCUMENT AND THE INFORMATION CONTAINED HEREIN UNDER NO CIRCUMSTANCES WILL BE USED IN THE MANUFACTURE OR REPRODUCTION OF THE ARTICLE DISCLOSED, AND DELIVERY OF THIS DOCUMENT SHALL NOT CONSTITUTE ANY RIGHT OR LICENSE TO DO SO.

TITLE
VISU-LOK, FASTENER, BLIND INTERNALLY THREADED, EXTERNAL SLEEVE ALLOY STEEL PROTRUDING HEX HEAD, SELF LOCKING HIGH STRENGTH

STANDARD
PLT 1001
SHEET 2 OF 2

REV. LETTER AND DATE
 (E) 04-11-94