

Printed copies are for reference only.

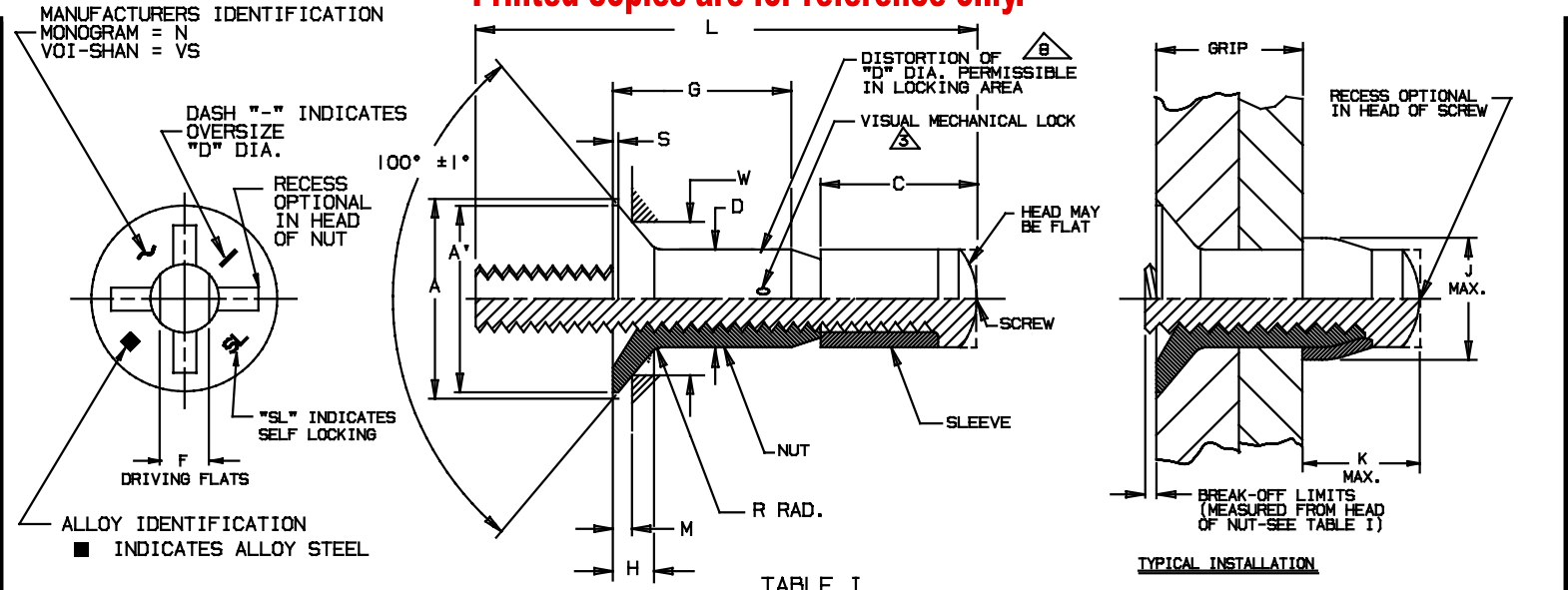


TABLE I

PART NUMBER	NOM. DIA.	A THEO. DIA.	A' DIA. MIN.	C MAX.	D DIA.	F DRIVING FLATS	H REF.	J DIA. MAX.	K MAX.	M GAGE PROT.	R RAD.	S MAX.	W GAGE DIA.	HOLE SIZE	BREAK-OFF LIMITS	PREVAILING TORQUE IN. LBS. MIN.	DOUBLE SHEAR STRENGTH LBS. MIN.	TENSILE STRENGTH LBS. MIN.
PLT 112-6-(*)	.210	.385 .378	.342	.328	.2105 .2095	.104 .099	.070	.300	.312	.0299 .0259	.030 .015	.015	.3147 .3143	.214 .211	+0.015 -.073	1.5	5240	1400
PLT 112-8-(*)	.270	.507 .499	.463	.379	.2705 .2695	.135 .130	.096	.384	.351	.0353 .0307	.030 .015	.015	.4245 .4241	.274 .271	+0.010 -.078	2.5	9000	2100
PLT 112-10-(*)	.320	.635 .626	.577	.448	.3205 .3195	.152 .147	.128	.427	.426	.0409 .0357	.040 .020	.020	.5389 .5385	.324 .321	+0.010 -.083	3.5	12000	3600
PLT 112-12-(*)	.382	.762 .752	.696	.535	.3825 .3815	.185 .180	.154	.516	.495	.0466 .0407	.040 .020	.023	.6532 .6528	.386 .383	+0.010 -.093	4.0	19500	5600

(*) SEE TABLE II FOR SECOND DASH NUMBER AND APPROVED CALLOUT.

TABLE II

SECOND DASH NUMBER	G GRIP	GRIP RANGE		L REF.				SECOND DASH NUMBER	G GRIP	GRIP RANGE		L REF.			
		MIN.	MAX.	PLT 112						MIN.	MAX.	PLT 112			
				-6-(*)	-8-(*)	-10-(*)	-12-(*)					-6-(*)	-8-(*)	-10-(*)	-12-(*)
-	-	-	-	-	-	-	-	-17	1.094	1.032	1.094	1.791	1.819	1.971	2.054
-2	.156	.094	.156	.853	-	-	-	-18	1.156	1.095	1.156	1.853	1.881	2.033	2.117
-3	.219	.157	.219	.916	.944	-	-	-19	1.219	1.157	1.219	1.916	1.944	2.096	2.179
-4	.281	.220	.281	.978	1.006	1.158	1.242	-20	1.281	1.220	1.281	1.978	2.006	2.158	2.242
-5	.344	.282	.344	1.041	1.069	1.221	1.304	-21	1.344	1.282	1.344	2.041	2.069	2.221	2.304
-6	.406	.345	.406	1.103	1.131	1.283	1.367	-22	1.406	1.345	1.406	2.103	2.131	2.283	2.367
-7	.469	.407	.469	1.166	1.194	1.346	1.429	-23	1.469	1.407	1.469	2.166	2.194	2.346	2.429
-8	.531	.470	.531	1.228	1.256	1.408	1.492	-24	1.531	1.470	1.531	2.228	2.256	2.408	2.492
-9	.594	.532	.594	1.291	1.319	1.471	1.554	-25	1.594	1.532	1.594	2.291	2.319	2.471	2.554
-10	.656	.595	.656	1.353	1.381	1.533	1.617	-26	1.656	1.595	1.656	2.353	2.381	2.533	2.617
-11	.719	.657	.719	1.416	1.444	1.596	1.679	-27	1.719	1.657	1.719	2.416	2.444	2.596	2.679
-12	.781	.720	.781	1.478	1.506	1.658	1.742	-28	1.781	1.720	1.781	2.478	2.506	2.658	2.742
-13	.844	.782	.844	1.541	1.569	1.721	1.804	-29	1.844	1.782	1.844	2.541	2.569	2.721	2.804
-14	.906	.845	.906	1.603	1.631	1.783	1.867	-30	1.906	1.845	1.906	2.603	2.631	2.783	2.867
-15	.969	.907	.969	1.666	1.694	1.846	1.929	-31	1.969	1.907	1.969	2.666	2.694	2.846	2.929
-16	1.031	.970	1.031	1.728	1.756	1.908	1.992	-32	2.031	1.970	2.031	2.728	2.756	2.908	2.992

Fairchild
 CODE IDENT. NO.
92215

▲ "G" TOLERANCES: FOR -5 & -6 SIZES +.030/-0.010; FOR -8 & -10 SIZES +.040/-0.010; FOR -12 SIZE +.050/-0.010.
 U.S. PATENT NO. 3643544, OTHER PATENTS PENDING.

MONOGRAM
 CODE IDENT. NO.
98524

APPROVED DATE
 28 SEPTEMBER 1977
 REV. LETTER AND DATE
 ① 05-09-94

NOTICE: THIS DRAWING IS PART OF THE PROPRIETARY ARTICLE HEREIN DISCLOSED, OWNED BY MONOGRAM AEROSPACE FASTENERS. ANY PARTY BY ACCEPTING THIS DOCUMENT ASSUMES CUSTODY THEREOF AND AGREES: A. THE INFORMATION SET FORTH HEREIN IS GIVEN IN CONFIDENCE AND THIS DOCUMENT WILL NOT BE COPIED OR REPRODUCED IN WHOLE OR IN PART, NOR ITS CONTENTS REVEALED IN ANY MANNER TO ANY PERSON EXCEPT TO WHOM THE PURPOSE FOR WHICH IT WAS DELIVERED. B. WITHOUT THE WRITTEN CONSENT OF MONOGRAM AEROSPACE FASTENERS, THIS DOCUMENT AND THE INFORMATION CONTAINED HEREIN UNDER NO CIRCUMSTANCES WILL BE USED IN THE MANUFACTURE OR REPRODUCTION OF THE ARTICLE DISCLOSED, AND DELIVERY OF THIS DOCUMENT SHALL NOT CONSTITUTE ANY RIGHT OR LICENSE TO DO SO.

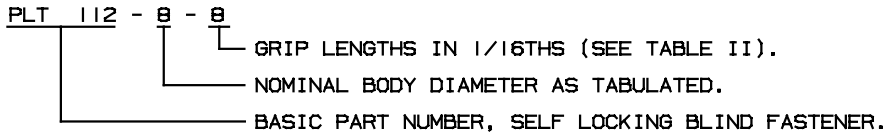
TITLE
VISU-LOK, FASTENER, BLIND INTERNALLY THREADED, EXTERNAL SLEEVE ALLOY STEEL 100° FLUSH HEAD, SELF LOCKING, GROUND SHANK SPECIAL OVERSIZE

STANDARD
PLT 112
 SHEET 1 OF 2

PROCUREMENT SPEC. : ESCBB-2 CLASS 1, EXCEPT AS SPECIFIED HEREIN.

MATERIAL : NUT & SCREW : ALLOY STEEL: 4130 PER MIL-S-6758, 4140 PER MIL-S-5626 OR 8740 PER MIL-S-6049.
 SLEEVE : CORROSION RESISTANT STEEL: 303 OR 304 PER QQ-S-763, AMS 5639 OR AMS 5641.
 HEAT TREAT : NUT & SCREW : HEAT TREAT PER MIL-H-6875. APPROXIMATELY 180,000-200,000 PSI TENSILE (Rc 39-43).
 SLEEVE : AS REQUIRED FOR PERFORMANCE.
 FINISH : NUT & SCREW : CADMIUM PLATE PER QQ-P-416, TYPE II, CLASS 2. CADMIUM PLATE PER NAS 672 IS PERMISSIBLE PROVIDED IT IS FOLLOWED BY A DICHROMATE POST TREATMENT PER QQ-P-416.
 SLEEVE : PASSIVATE PER MIL-S-5002. CADMIUM PLATE PER QQ-P-416, TYPE I, CLASS 3.
 LUBRICANT: LUBRICANTS LISTED BELOW MAY BE APPLIED TO ANY OR ALL COMPONENTS IF REQUIRED FOR PERFORMANCE:
 NUT : WWM CARBO-WAX, PARAFFIN WAX AND/OR CETYL ALCOHOL PER MIL-L-87132.
 SCREW & SLEEVE : DRY FILM LUBE MoS₂ PER MIL-L-46010 TYPE I OR MIL-L-81329, WWM CARBO-WAX, PARAFFIN WAX AND/OR CETYL ALCOHOL PER MIL-L-87132.

PART CODE & EXAMPLE :



GENERAL NOTES :

- 1.) OUTSIDE DIAMETER OF HEAD OF SCREW AND OUTSIDE DIAMETER OF SLEEVE SHALL NOT BE GREATER THAN MAXIMUM "D" DIAMETER.
- 2.) REMOVE ALL LOOSE OR HANGING BURRS.
- 3.) LOCKING FEATURE CONSISTS OF THREE (3) INDENTATIONS LOCATED 120° APART ON THE PERIPHERY OF THE NUT COMPONENT AND APPROXIMATELY .040 ABOVE THE INTERSECTION OF THE NUT NOSE ANGLE AND O.D. (MEAN GRIP OF FASTENER).
- 4.) HEAD MARKINGS ON NUT DEPRESSED .010 MAX. LOCATION OPTIONAL.
- 5.) STANDARD FINISHES AND LUBRICANTS ARE SHOWN ABOVE. REFER TO SPECIFICATION ESCBB-4 FOR SPECIAL FINISHES AND/OR LUBRICANTS, IF REQUIRED.
- 6.) CONCENTRICITY OF NUT HEAD CONICAL SURFACE TO "D" DIAMETER SHALL BE WITHIN .005 T.I.R., EXCEPT OVER INDENTATIONS.
- 7.) STANDARD GRIP LENGTHS ARE SHOWN IN TABLE II, SHORTER OR LONGER GRIPS THAN THOSE LISTED MAY BE AVAILABLE AS SPECIALS. ON GRIP LENGTHS SHORTER THAN THOSE LISTED, THE BREAKOFF LIMITS AND PREVAILING TORQUES SHOWN IN TABLE I DO NOT APPLY.
- 8.) DISTORTION OF "D" DIAMETER SHALL NOT PREVENT INSERTION OF THE FASTENER INTO A RING GAUGE OF LENGTH EQUAL TO ONE DIAMETER AND DIAMETER EQUAL TO "D" MAX + .001 INCH. FORCE FOR INSERTION SHALL NOT EXCEED FIVE (5) POUNDS
- 9.) HALF-GRIP SIZES MAY BE ORDERED BY ADDING (.5) TO THE GRIP DASH NUMBERS.
 EXAMPLE: PLT 112-6-4.5 INDICATES A NOMINAL GRIP LENGTH OF 4.5 SIXTEENTHS = .281. THE GRIP RANGE FOR THESE HALF-GRIP SIZES WILL BE NOMINAL GRIP + .031/- .030. THE BASIC "G" DIMENSION WILL BE NOMINAL GRIP + .031 AND THE OVERALL SCREW LENGTH "L" DIMENSION MAY VARY AT MANUFACTURER'S OPTION.
- 10.) DIMENSIONS "A", "A'" AND "H" ARE FOR ENGINEERING REFERENCE PURPOSES ONLY AND ARE NOT TO BE USED FOR INSPECTION PURPOSES. THESE DIMENSIONS ARE THEORETICAL VALUES DERIVED FROM "D", "S", "V", "W" AND HEAD ANGLE DIMENSIONS.
11. DIMENSIONS ARE EXCLUSIVE OF LUBRICATION.

Fairchild
 CODE IDENT. NO.
92215

MONOGRAM
 CODE IDENT. NO.
98524

U.S. PATENT NO. 3643544, OTHER PATENTS PENDING.

APPROVED DATE
 28 SEPTEMBER 1977

NOTICE: THIS DRAWING IS PART OF THE PROPRIETARY ARTICLE HEREIN DISCLOSED. OWNED BY MONOGRAM AEROSPACE FASTENERS. ANY PARTY BY ACCEPTING THIS DOCUMENT ASSUMES CUSTODY THEREOF AND AGREES:
 A. THE INFORMATION SET FORTH HEREIN IS GIVEN IN CONFIDENCE AND THIS DOCUMENT WILL NOT BE COPIED OR REPRODUCED IN WHOLE OR IN PART, NOR ITS CONTENTS REVEALED IN ANY MANNER TO ANY PERSON EXCEPT TO MEET THE PURPOSE FOR WHICH IT WAS DELIVERED.
 B. WITHOUT THE WRITTEN CONSENT OF MONOGRAM AEROSPACE FASTENERS, THIS DOCUMENT AND THE INFORMATION CONTAINED HEREIN UNDER NO CIRCUMSTANCES WILL BE USED IN THE MANUFACTURE OR REPRODUCTION OF THE ARTICLE DISCLOSED, AND DELIVERY OF THIS DOCUMENT SHALL NOT CONSTITUTE ANY RIGHT OR LICENSE TO DO SO.

TITLE
VISU-LOK, FASTENER, BLIND INTERNALLY THREADED, EXTERNAL SLEEVE ALLOY STEEL 100° FLUSH HEAD, SELF LOCKING, GROUND SHANK SPECIAL OVERSIZE

STANDARD
PLT 112
SHEET 2 OF 2