



CUSTODIAN: ENGINEERING STANDARD COMMITTEE FOR BLIND BOLTS  
 3423 SOUTH GARFIELD AVENUE  
 LOS ANGELES, CALIFORNIA 90040

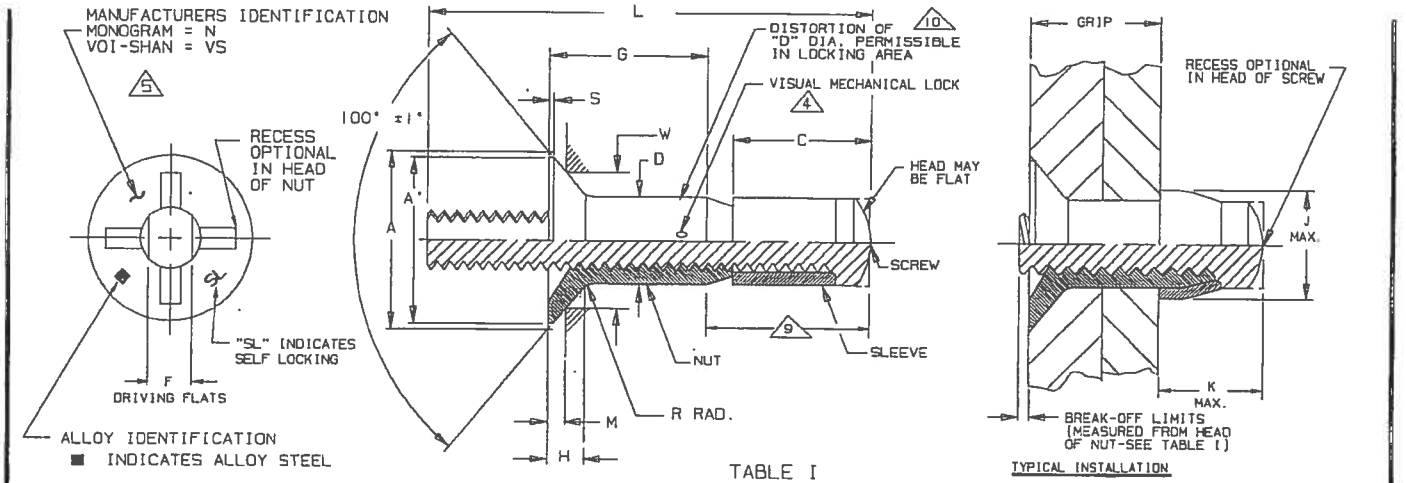


TABLE I

PART NUMBER	NOM. DIA.	A THED. DIA.	A' DIA. MIN.	C MAX.	D DIA.	F DRIVING FLATS	H REF.	J DIA. MAX.	K MAX.	M GAGE PROT.	R RAD.	S MAX.	W GAGE DIA.	HOLE SIZE	BREAK-OFF LIMITS	PRELOADING TORQUE IN. LBS. MIN.	DOUBLE SHEAR STRENGTH LBS. MIN.	TENSILE STRENGTH LBS. MIN.
PLT 1105A-5-(*)	.1635	.332 .325	.296	.268	.1645 .1625	.086 .081	.069	.244	.246	.0276 .0238	.030 .010	.012	.2671 .2667	.168 .165	+.020 -.068	1.0	3355	900
PLT 1105A-6-(*)	.1980	.385 .378	.342	.303	.1990 .1970	.104 .099	.077	.300	.281	.0299 .0259	.030 .015	.015	.3147 .3143	.202 .199	+.015 -.073	1.5	5240	1400
PLT 1105A-8-(*)	.2590	.507 .499	.463	.354	.2600 .2580	.135 .130	.102	.384	.325	.0353 .0307	.030 .015	.015	.4245 .4241	.263 .260	+.010 -.078	2.5	9000	2100
PLT 1105A-10-(*)	.3105	.635 .626	.577	.423	.3115 .3095	.152 .147	.134	.427	.390	.0409 .0357	.040 .020	.020	.5389 .5385	.315 .312	+.010 -.083	3.5	12000	3600
PLT 1105A-12-(*)	.3735	.762 .752	.696	.510	.3745 .3725	.185 .180	.160	.516	.470	.0466 .0407	.040 .020	.023	.6532 .6528	.378 .375	+.010 -.093	4.0	19500	5600

(\*) SEE TABLE II FOR SECOND DASH NUMBER AND APPROVED CALLOUT.

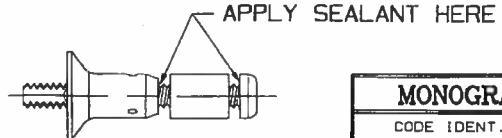
TABLE II

SECOND DASH NUMBER	G GRIP	GRIP RANGE		L REF.				
		MIN.	MAX.	PLT 1105A				
				-5-(*)	-6-(*)	-8-(*)	-10-(*)	-12-(*)
-	-	-	-	-	-	-	-	-
-2	.156	.094	.156	.733	.853	-	-	-
-3	.219	.157	.219	.795	.916	.944	-	-
-4	.281	.220	.281	.858	.978	1.006	1.158	1.242
-5	.344	.282	.344	.920	1.041	1.069	1.221	1.304
-6	.406	.345	.406	.983	1.103	1.131	1.283	1.367
-7	.469	.407	.469	1.045	1.166	1.194	1.346	1.429
-8	.531	.470	.531	1.108	1.228	1.256	1.408	1.492
-9	.594	.532	.594	1.170	1.291	1.319	1.471	1.554
-10	.656	.595	.656	1.233	1.353	1.381	1.533	1.617
-11	.719	.657	.719	1.295	1.416	1.444	1.596	1.679
-12	.781	.720	.781	1.358	1.478	1.506	1.658	1.742
-13	.844	.782	.844	1.420	1.541	1.569	1.721	1.804
-14	.906	.845	.906	1.483	1.603	1.631	1.783	1.867
-15	.969	.907	.969	1.545	1.666	1.694	1.846	1.929
-16	1.031	.970	1.031	1.608	1.728	1.756	1.908	1.992
-17	1.094	1.032	1.094	-	-	-	-	-
-18	1.156	1.095	1.156	-	-	-	-	-
-19	1.219	1.157	1.219	-	-	-	-	-
-20	1.281	1.220	1.281	-	-	-	-	-
-21	1.344	1.282	1.344	-	-	-	-	-
-22	1.406	1.345	1.406	-	-	-	-	-
-23	1.469	1.407	1.469	-	-	-	-	-
-24	1.531	1.470	1.531	-	-	-	-	-
-25	1.594	1.532	1.594	-	-	-	-	-
-26	1.656	1.595	1.656	-	-	-	-	-
-27	1.719	1.657	1.719	-	-	-	-	-
-28	1.781	1.720	1.781	-	-	-	-	-
-29	1.844	1.782	1.844	-	-	-	-	-
-30	1.906	1.845	1.906	-	-	-	-	-
-31	1.969	1.907	1.969	-	-	-	-	-
-32	2.031	1.970	2.031	-	-	-	-	-

▲ "G" TOLERANCES: FOR -5 & -6 SIZES +.030/- .010;  
 FOR -8 & -10 SIZES +.040/- .010;  
 FOR -12 SIZE +.050/- .010.



U.S. PATENT NO. 3643544. OTHER PATENTS PENDING.



APPROVED DATE  
 06 JANUARY 1981

REV. LETTER AND DATE  
 (F) 03-25-94

NOTICE: THIS DRAWING IS PART OF THE PROPRIETARY ARTICLE HEREIN DISCLOSED, OWNED BY MONOGRAM AEROSPACE FASTENERS. ANY PARTY BY ACCEPTING THIS DOCUMENT ASSUMES CUSTODY THEREOF AND AGREES:  
 A. THE INFORMATION SET FORTH HEREIN IS GIVEN IN CONFIDENCE AND THIS DOCUMENT WILL NOT BE COPIED OR REPRODUCED IN WHOLE OR IN PART, NOR ITS CONTENTS REVEALED IN ANY MANNER TO ANY PERSON EXCEPT TO KEEP THE PURPOSE FOR WHICH IT WAS DELIVERED.  
 B. WITHOUT THE WRITTEN CONSENT OF MONOGRAM AEROSPACE FASTENERS, THIS DOCUMENT AND THE INFORMATION CONTAINED HEREIN UNDER NO CIRCUMSTANCES WILL BE USED IN THE MANUFACTURE OR REPRODUCTION OF THE ARTICLE DISCLOSED AND DELIVERY OF THIS DOCUMENT SHALL NOT CONSTITUTE ANY RIGHT OR LICENSE TO DO SO.

TITLE  
 VISU-LOK, FASTENER, BLIND INTERNALLY THREADED, EXTERNAL SLEEVE ALLOY STEEL 100° FLUSH HEAD, SELF LOCKING FOR SEALANT APPLICATION

MONOGRAM  
 CODE IDENT. NO. 98524

STANDARD  
 PLT 1105A  
 SHEET 1 OF 2

